



# Royal Arms Medical Inc. Cart Cover Worksheet



Diagram 1

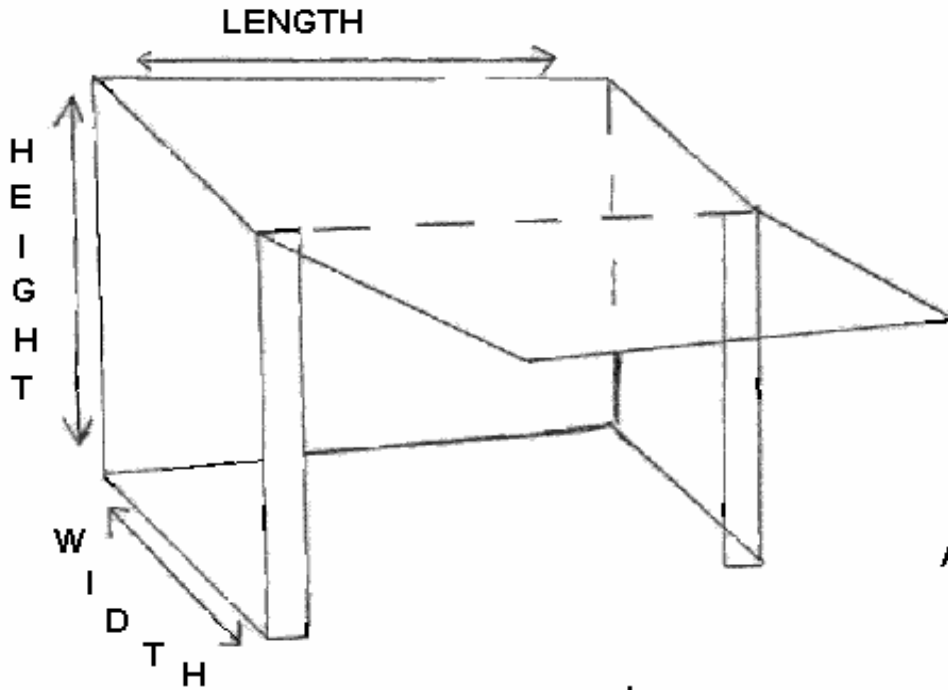
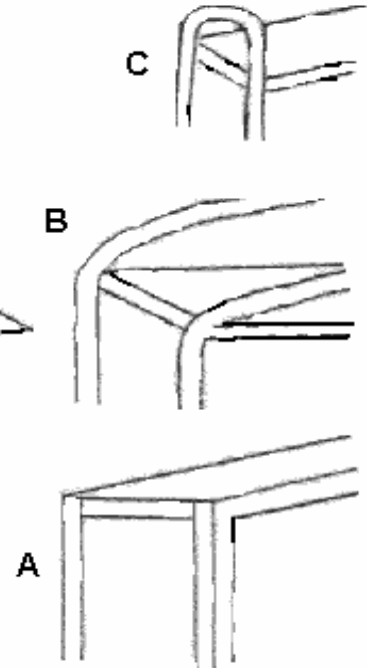


Diagram 2



## Instructions

- 1) Account Name \_\_\_\_\_ Location \_\_\_\_\_
  - 2) Contact Name \_\_\_\_\_ Department \_\_\_\_\_
  - 3) Customer Phone # \_\_\_\_\_ Fax # \_\_\_\_\_
  - 4) Measurements (See Diagram 1) Width \_\_\_\_\_ Length \_\_\_\_\_ Height \_\_\_\_\_
  - 5) Closure Options (Check One) : Velcro \_\_\_\_\_ Cotton Ties \_\_\_\_\_ Zippers \_\_\_\_\_
  - 6) Corner style (See Diagram 2), (Check One) (A) Square \_\_\_\_ (B) Round FRONT \_\_\_\_ (C) Round END \_\_\_\_
  - 7) Color Royal Blue \_\_\_\_ White \_\_\_\_\_
  - 8) Material: 210D Nylon \_\_\_\_\_ 400D Nylon \_\_\_\_\_
  - 9) Quantity Requested \_\_\_\_\_ Price (if Known) \_\_\_\_\_
- SPECIAL INSTRUCTIONS \_\_\_\_\_

**FAX Completed Form To Royal Arms Medical (440) 743-0202 for a Price Quote**

**For More Information Call Royal Arms Medical at (800) 633-3073**

Please visit our Website, [www.RoyalArmsMedical.com](http://www.RoyalArmsMedical.com) to print more brochures